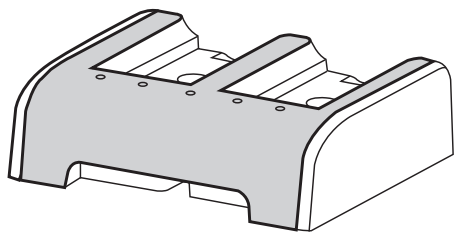


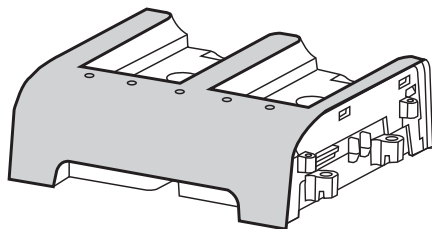
---

# Xibu

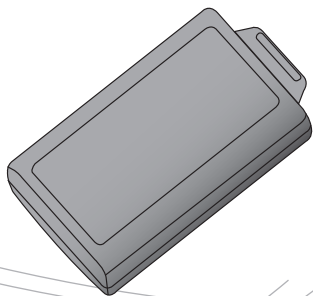
powerSTATION



powerSTATION  
extension



rechargePOWER hybrid

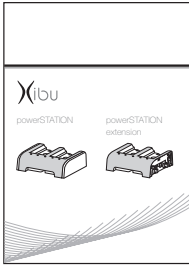
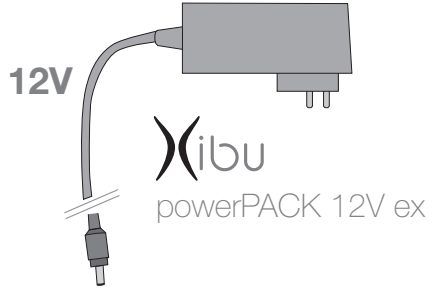
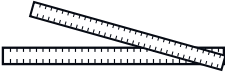
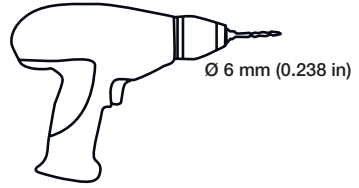
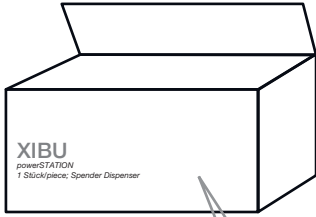


## Inhaltsverzeichnis / Content

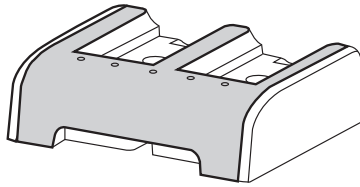
powerSTATION .....	3
powerSTATION extension .....	9
rechargePOWER hybrid .....	18
Applications	
XIBU TOWEL hybrid .....	20
XIBU DISINFECT / FOAM / SEAT DISINFECT / CARE MOUSSE / FLUID hybrid .....	23
XIBU AIRFRESH hybrid .....	26



# powerSTATION



## Xibu powerSTATION



2 x



2 x



2 x



4 x


# FOR THE UNITED STATES ONLY

## General Safety Information

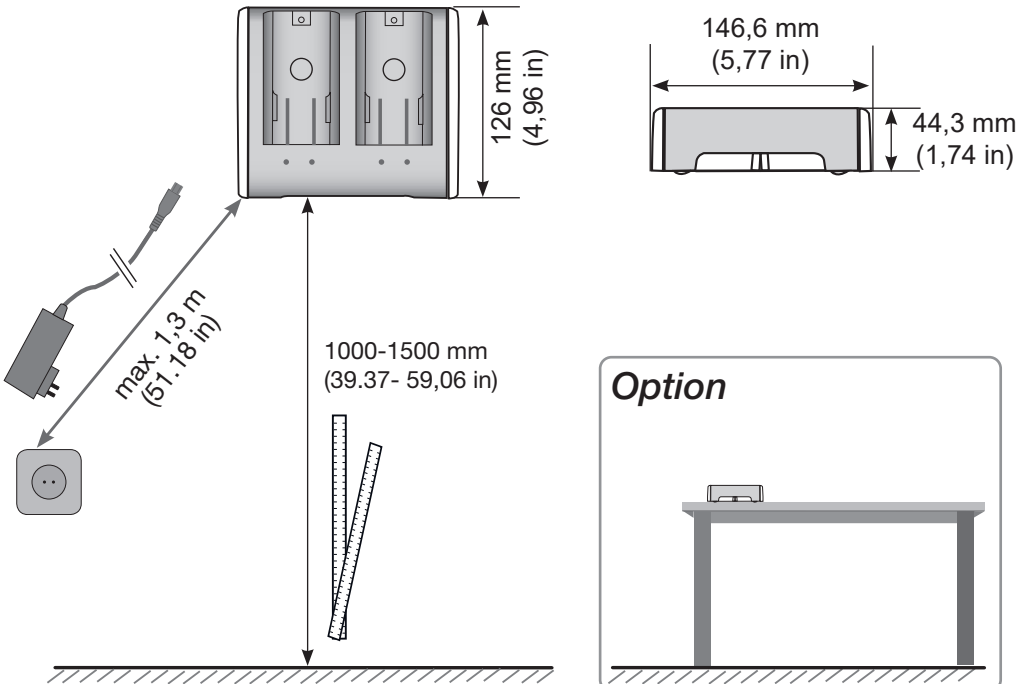
The following symbols and headings are used throughout this manual to indicate possible hazards to persons or equipment. The symbols and headings are shown in order of importance. For efficient and safe operation, be sure to follow the installation and operating instructions provided in this manual. In particular, all safety symbols and notices must be followed.

<b>⚠ WARNING</b>	Indicates a potentially hazardous situation which, if not avoided, could result in serious injury or death.
<b>⚠ CAUTION</b>	Indicates a potentially hazardous situation which, if not avoided, could result in minor personal injury.
<b>NOTICE</b>	This safety warning indicates possible hazards to the product or to other equipment.
<b>IMPORTANT</b>	Vital information or tips for the installer or operator.

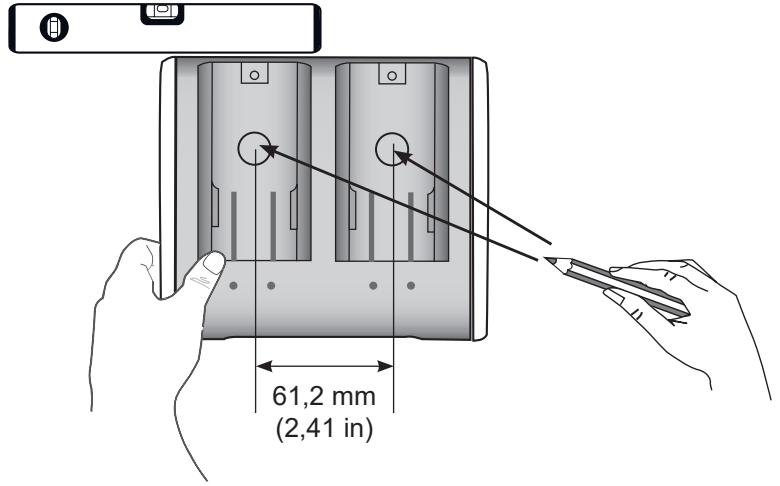
## General Safety Instructions

<b>⚠ CAUTION</b> 	<b>When using electrical appliances, basic safety precautions should always be followed.</b>
---	--

1.



2.

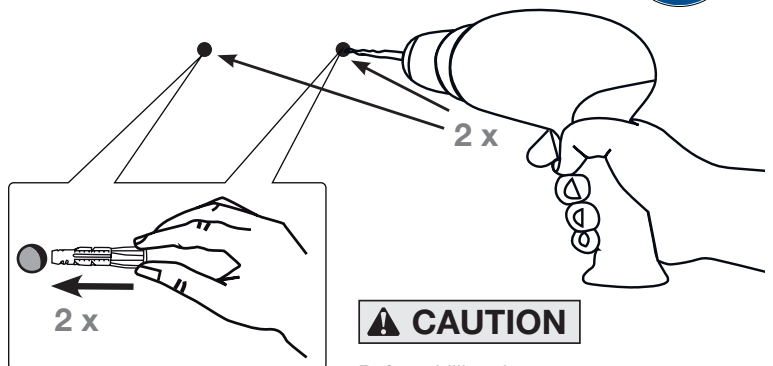
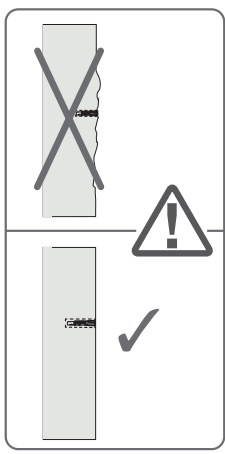


3.

2 x



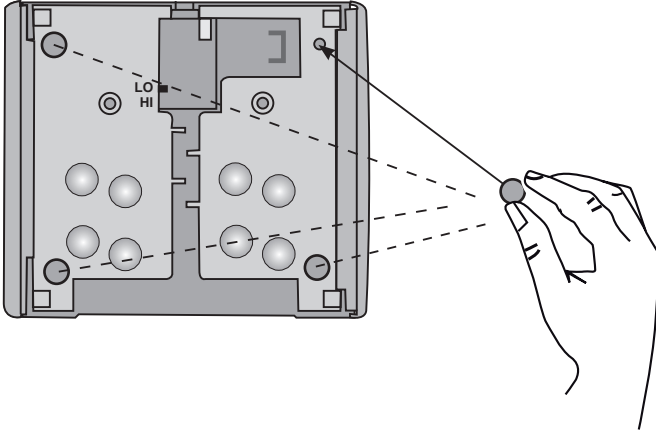
Ø 6 mm



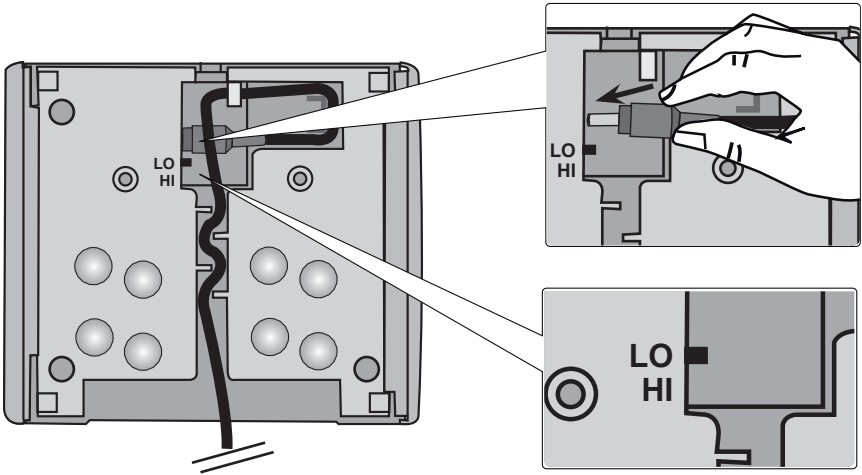
**CAUTION**

Before drilling the holes, make sure there are no pipes or wires located behind the wall

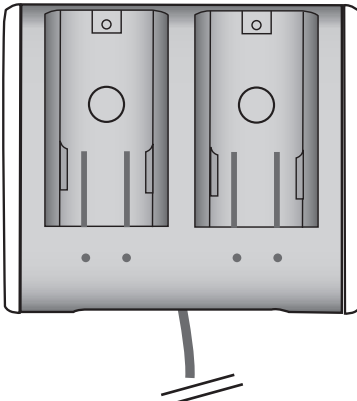
4.  4 x



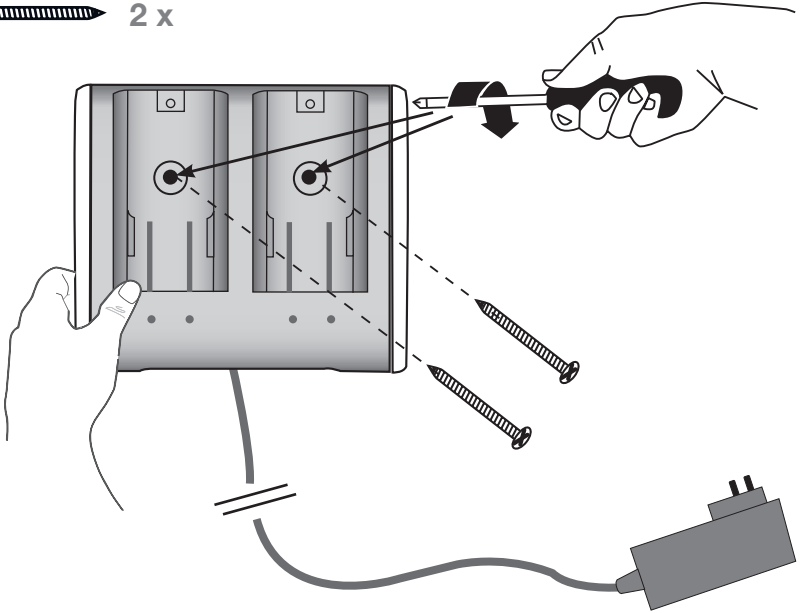
5.



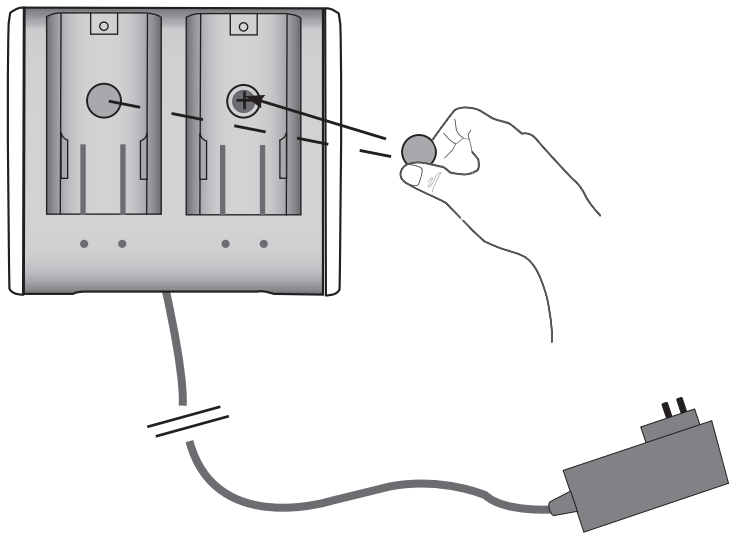
6.



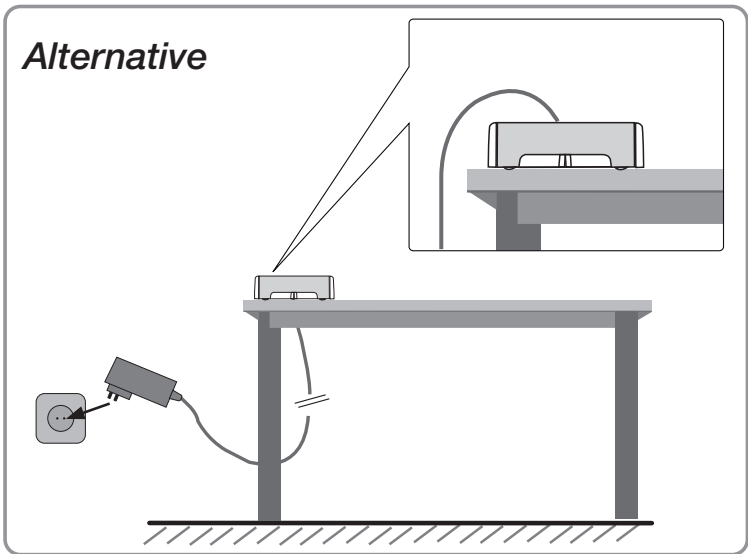
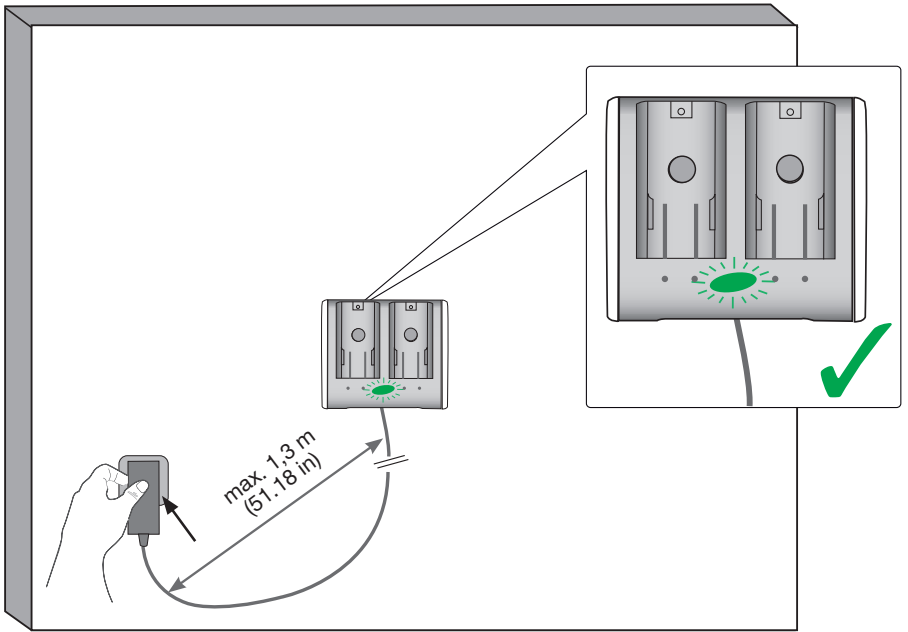
7.  2 x



8.  2 x

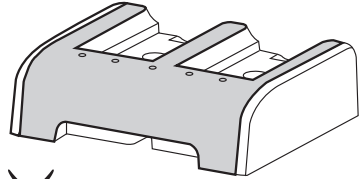
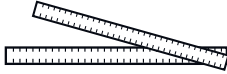
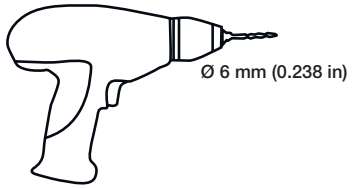
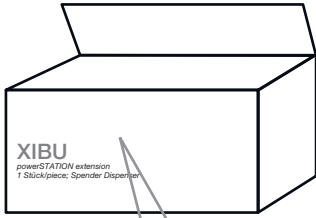


9.





# powerSTATION extension



Xibu powerSTATION

## Xibu powerSTATION extension

- 2 x
- 2 x
- 2 x

- 2 x
- 4 x

powerSTATION

powerSTATION extension

powerSTATION extension

powerSTATION extension

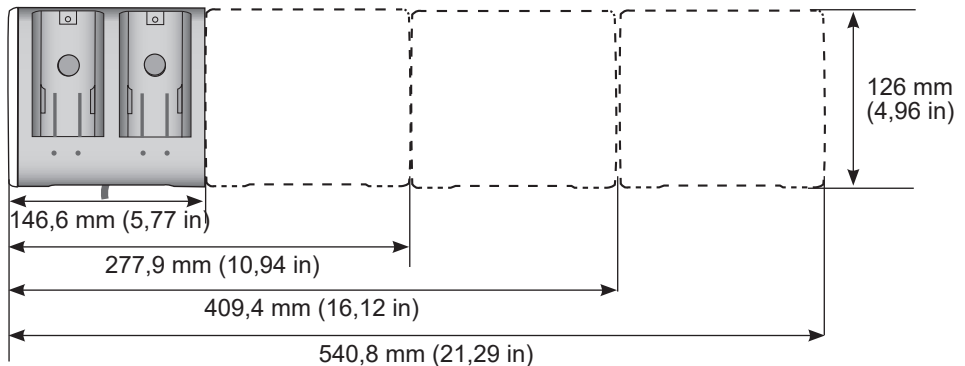


1

2

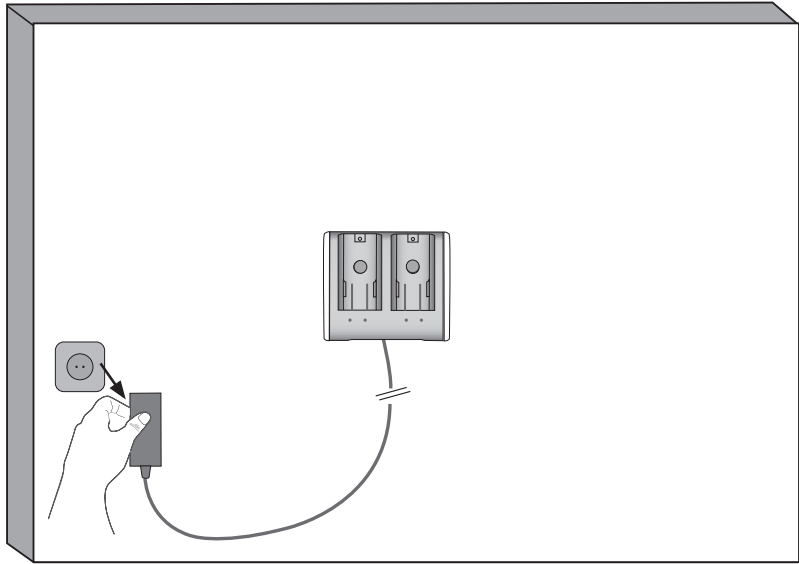
3

max. 4

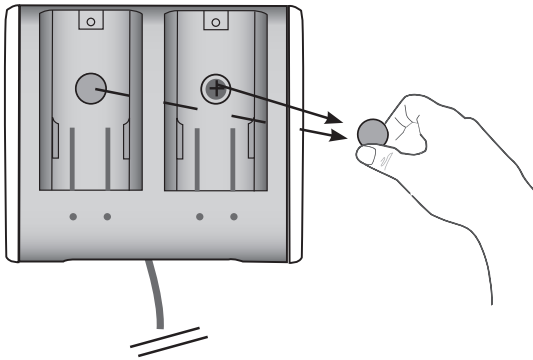


540,8 mm (21,29 in)

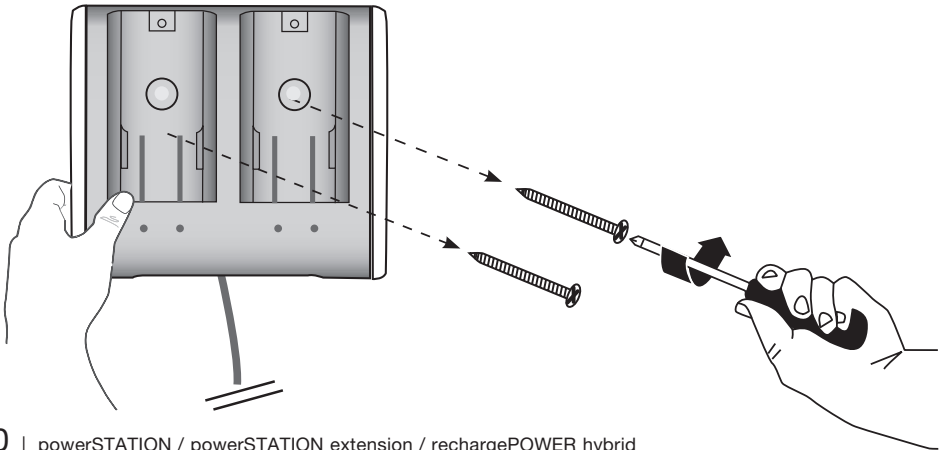
1.



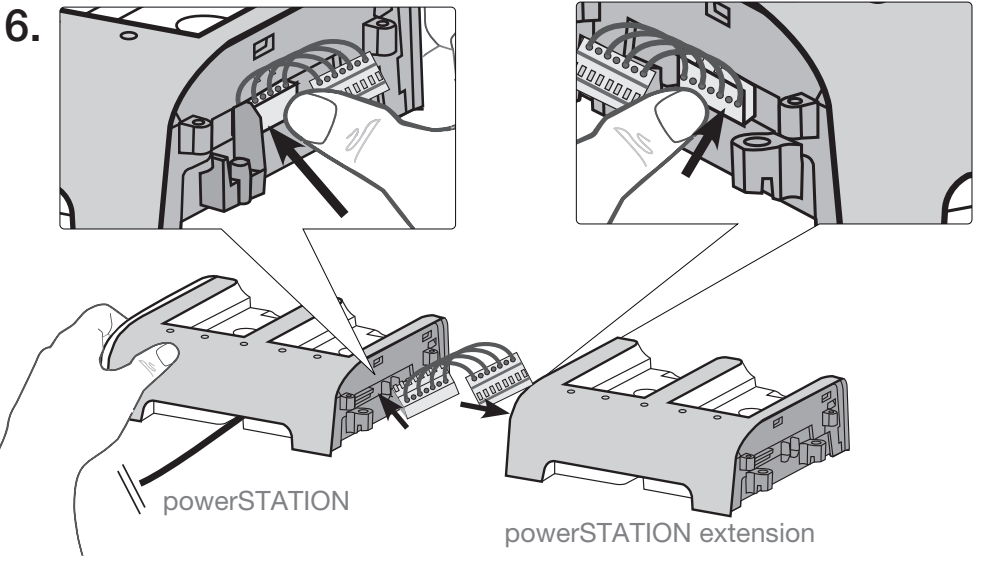
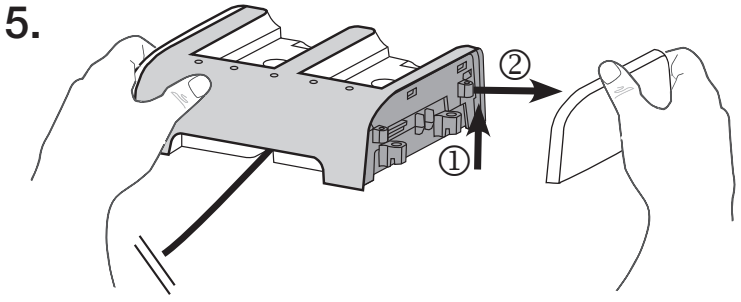
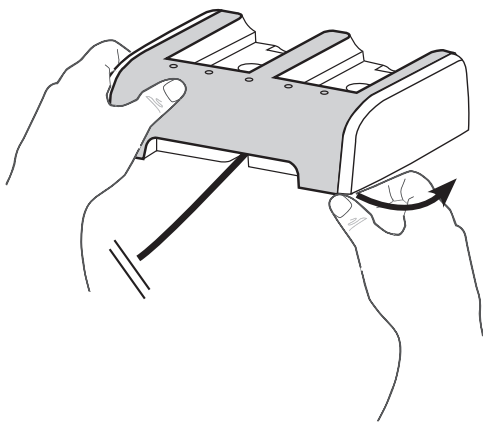
2.



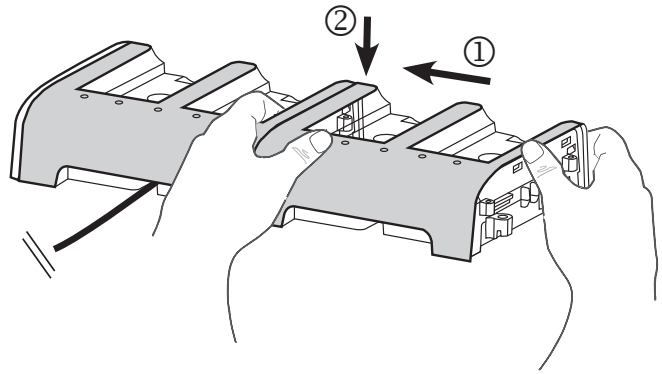
3.



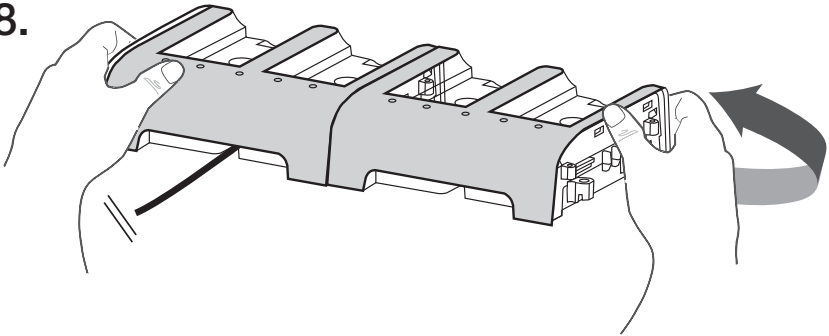
4. powerSTATION



7.

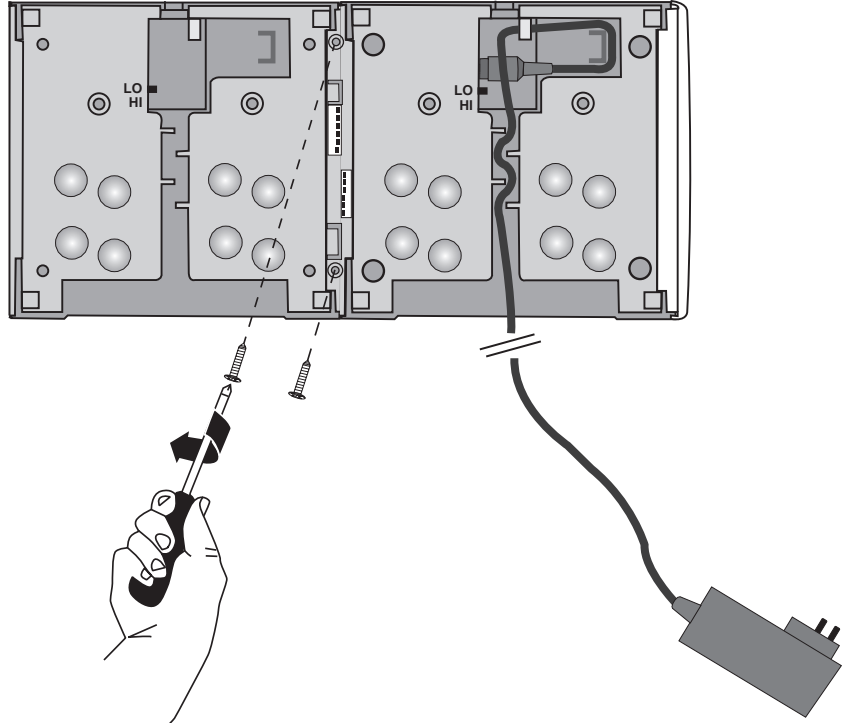


8.



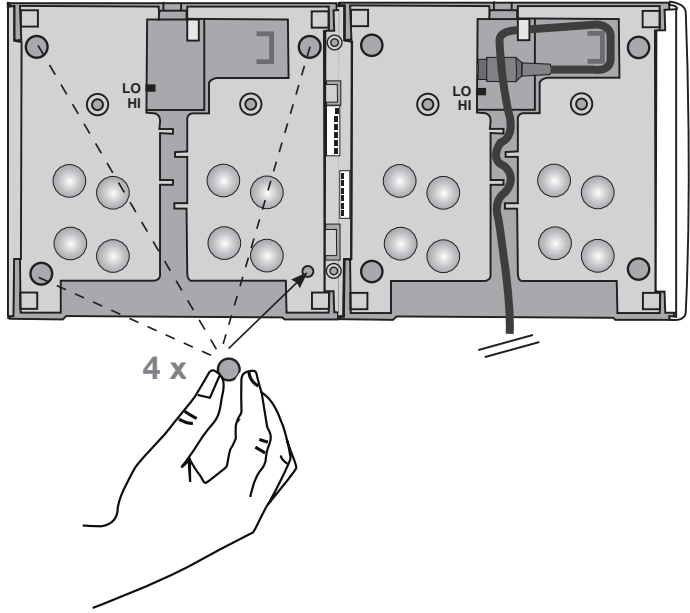
9.

  
2 x

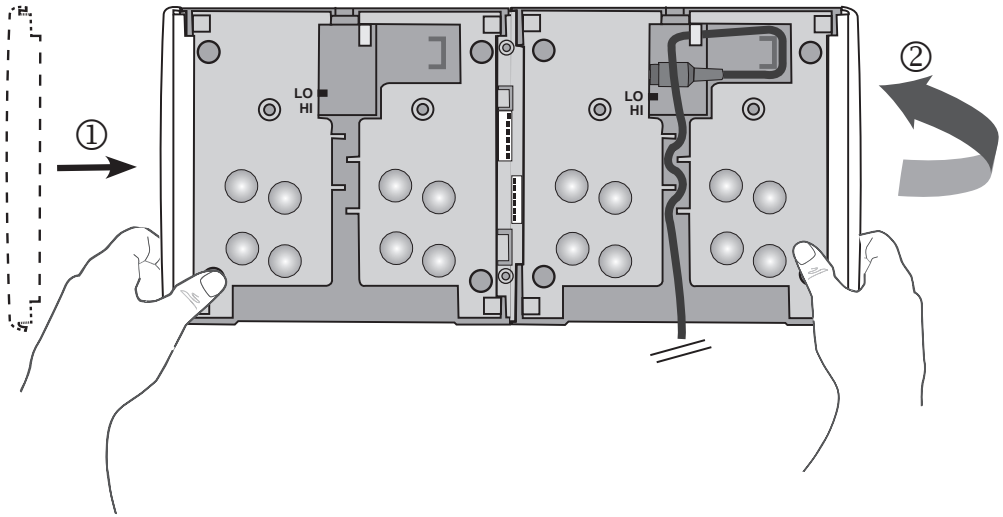


10.

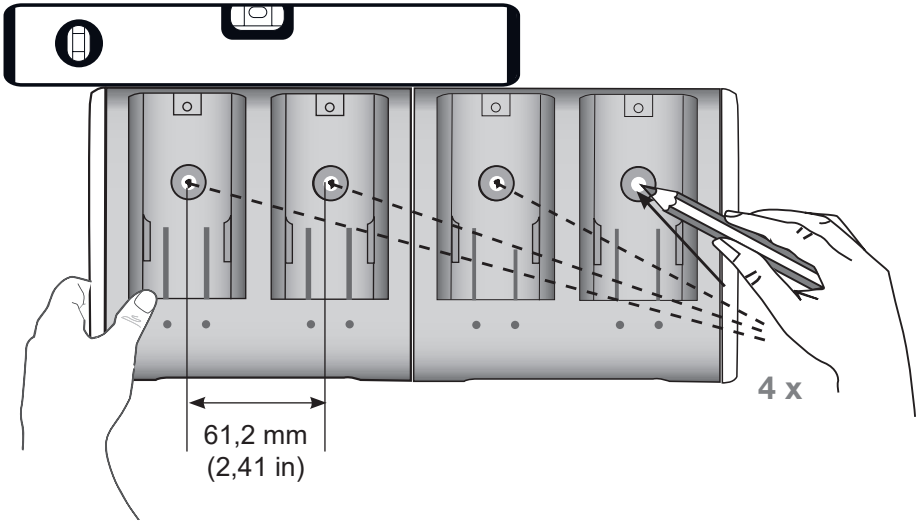
  
4 x



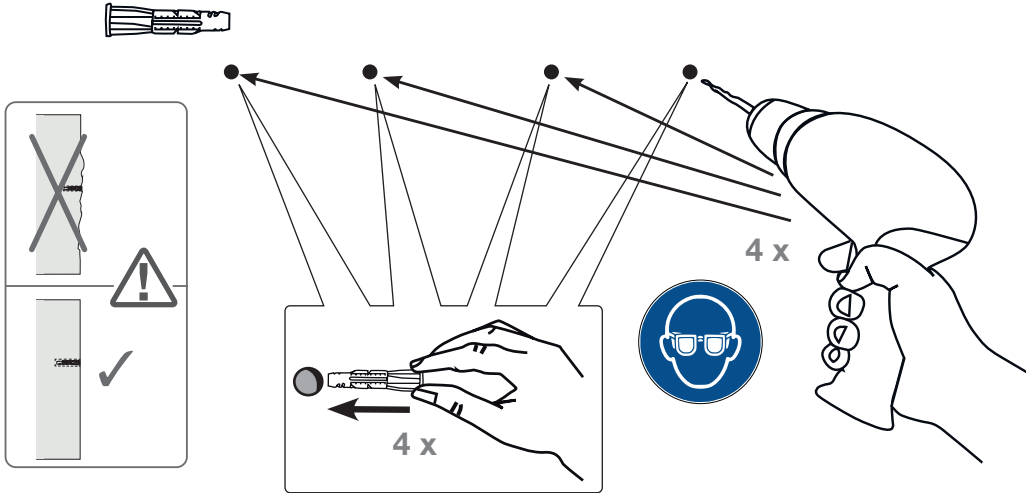
11.



12.



13. 4 x



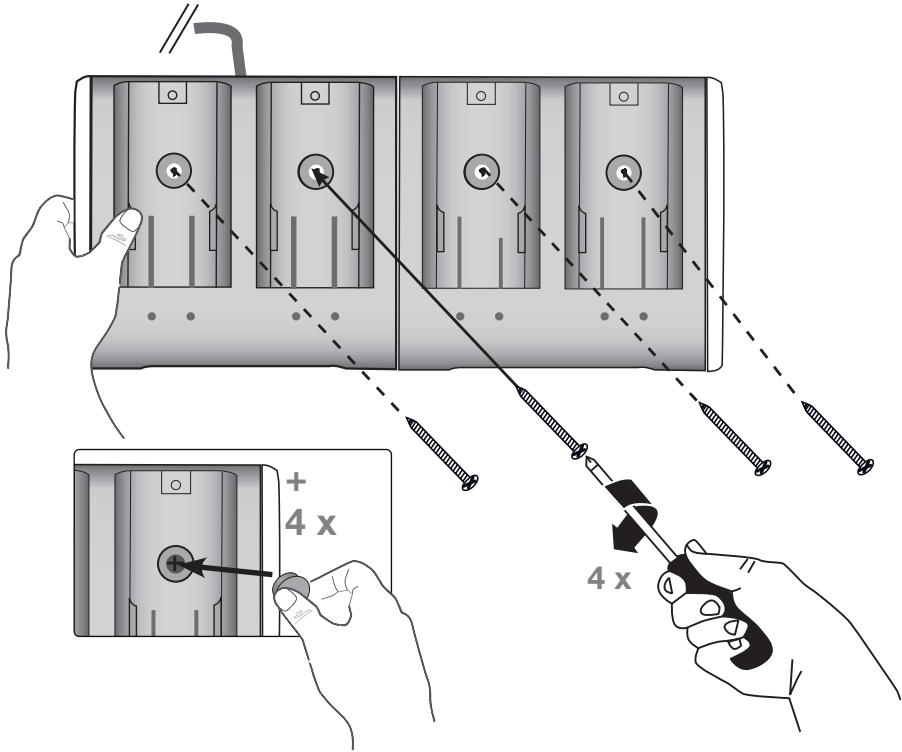
**⚠ CAUTION**

Before drilling the holes, make sure there are no pipes or wires located behind the wall

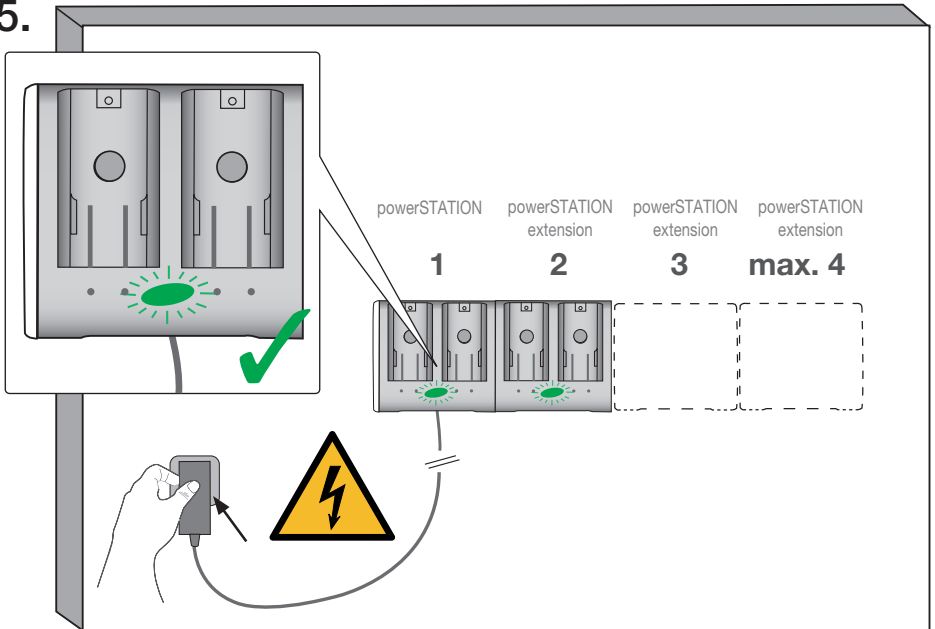
14.

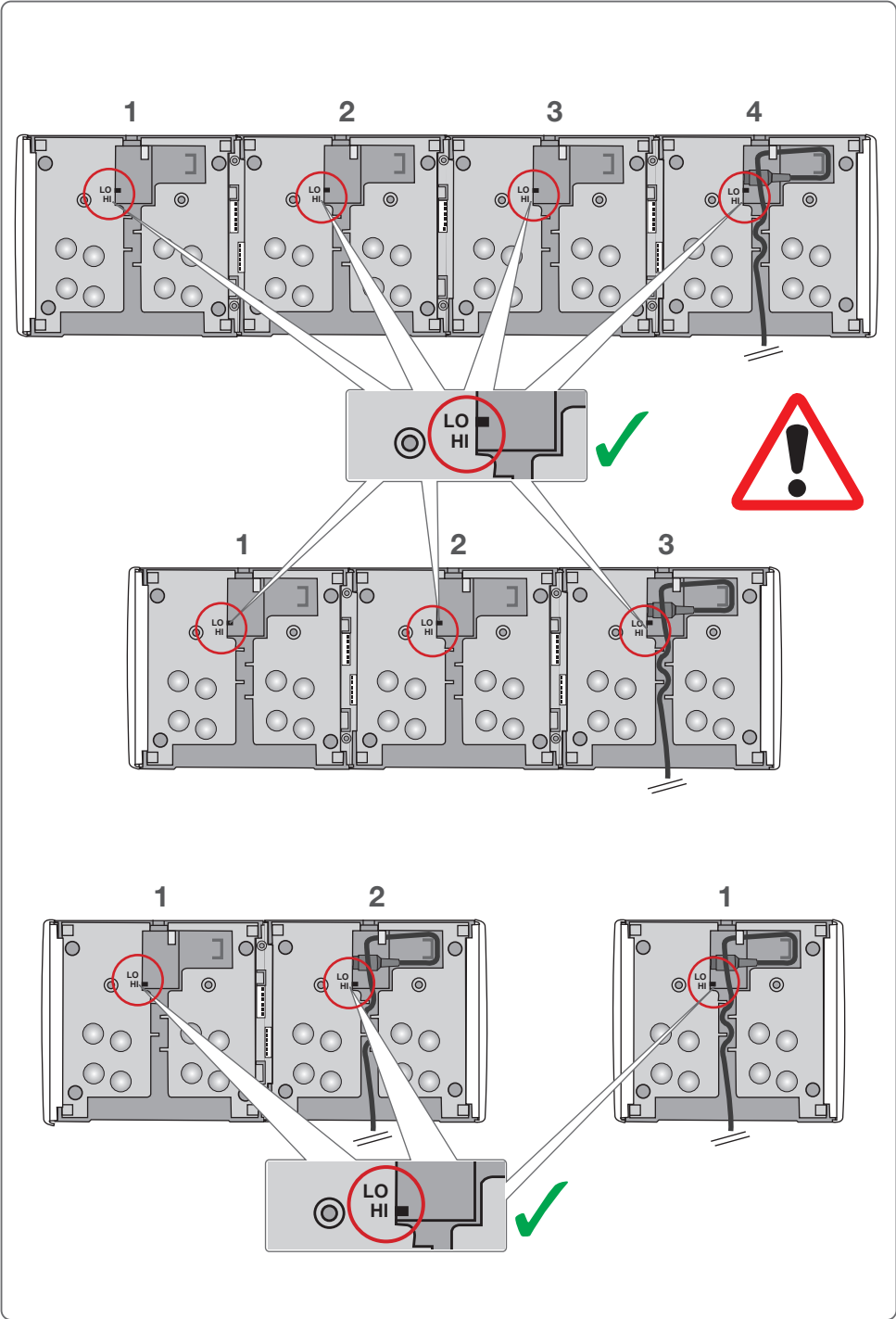
 4 x

 4 x



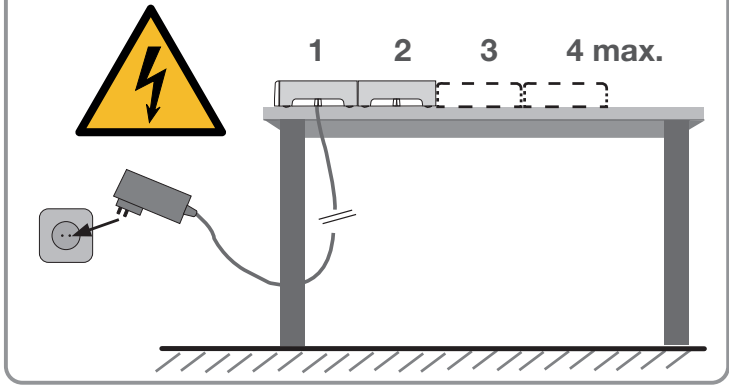
15.



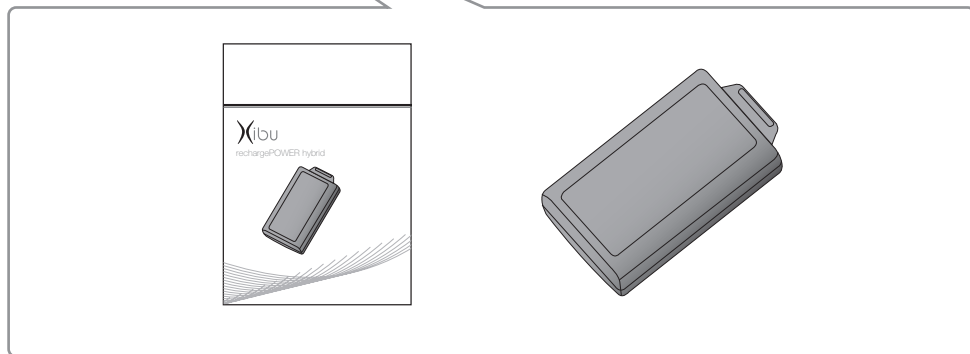
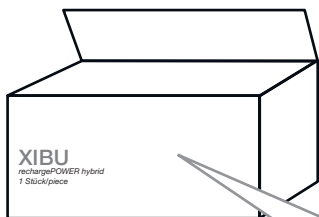




# Alternative



# rechargePOWER hybrid



**DE** Nur mit Hageltner Akku-Ladegerät: powerSTATION verwenden. Die Anschlussstellen nicht kurzschließen. Den Akku vor Feuer fernhalten. Den Akku nicht nass werden lassen. Keinen beschädigten Akku verwenden. Den Akku nicht öffnen oder zerlegen.

**EN** Use only with Hageltner powerSTATION rechargeable battery charger. Do not short-circuit the connections. Keep the rechargeable battery away from fire. Do not allow the rechargeable battery to become wet. Do not use a damaged rechargeable battery. Do not open or dismantle the rechargeable battery.

**IT** Utilizzare solo con caricatore per accumulatori powerSTATION di Hageltner. Non cortocircuitare i punti di connessione. Tenere l'accumulatore lontano dalle fiamme. Evitare che l'accumulatore si bagni. Non utilizzare un accumulatore danneggiato. Non aprire o smontare l'accumulatore.

**FR** Utiliser uniquement avec le chargeur à batterie Hageltner : powerSTATION. Ne pas court-circuiter les points de raccordement. Maintenir la batterie à l'écart du feu. Ne pas laisser la batterie prendre l'humidité. Ne pas utiliser une batterie endommagée. Ne pas ouvrir ni démonter la batterie.

**SK** Používať len s nabíjačkou akumulátorov Hageltner powerSTATION. Neskratujte pripájacie kontakty. Akumulátor chráňte pred ohňom. Nenechajte akumulátor zvlhnúť. Nepoužívajte poškodené akumulátory. Neotvárajte a nerozoberajte akumulátory.

**CS** Používejte pouze s nabíječkou Hageltner: powerSTATION. Připojovací místa nezkratujte. Baterii chráňte před ohněm. Nenechte baterii navlhnout. Nepoužívejte poškozenou baterii. Baterii neotevírejte ani nerozebírejte.

**PL** Tylko z ładowarką Hageltner: stosować powerSTATION. Nie zwierać punktów przyłączeniowych. Trzymać akumulator z dala od ognia. Nie wolno dopuścić do zamoczenia akumulatora. Nie używać uszkodzonych akumulatorów. Nie otwierać ani demontować akumulatora.

**SL** Uporabljajte samo z Hageltner polnilnikom: powerSTATION. Ne priključnih točkah ne sprožajte kratkih stikov. Baterijo hranite ločeno od ognja. Ne pustite, da se baterija zmocni. Ne uporabljajte poškodovane baterije. Ne odpirajte in ne razstavljajte baterije.

**SR** Samo sa Hageltner punjačem za bateriju: koristite powerSTATION. Prikjučna mesta nemojte kratko spojati. Držite bateriju dalje od vatre. Ne dozvolite da baterija navlaži. Nemojte koristiti oštećenu bateriju. Ne otvarajte i ne rastavljajte bateriju.

**HR** Samo sa punjačem marke Hageltner: koristite powerSTATION. Nemojte kratko spojati točke povezivanja. Držite bateriju podalje od vatre. Ne dopustite da se baterija smoči. Nemojte koristiti oštećenu bateriju. Nemojte otvarati ili rastavljati bateriju.

**HU** Csak Hageltner powerSTATION akkumulátor töltőkészülékkel használja. A csatlakozási helyeket ne zárja rövidre. Az akkumulátort tartsa távol tűztől. Az akkumulátor ne legyen nedves. Ne használjon sérült akkumulátort. Az akkumulátort ne nyissa fel és ne szedje szét.

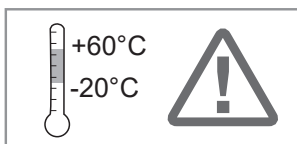
**RO** Numai pentru încărcătorul Hageltner de încărcare acumulator: utilizați powerSTATION. Nu scurtcircuitați locurile de conectare. Păstrați acumulatorul departe de foc. Nu lăsați acumulatorul să se umezească. Nu utilizați acumulatori deteriorați. Nu deschideți și nu demontați acumulatorul.

**BG** Да се използва само с уред за зареждане на Hageltner powerSTATION. Не свързвайте местата за свързка зарядното устройство далеч от огън. Не позволявайте зарядното устройство да се намокри. Не използвайте повредено зарядно устройство. Не отваряйте и не разглобявайте зарядното устройство.

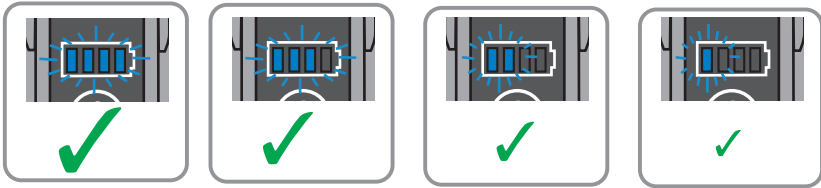
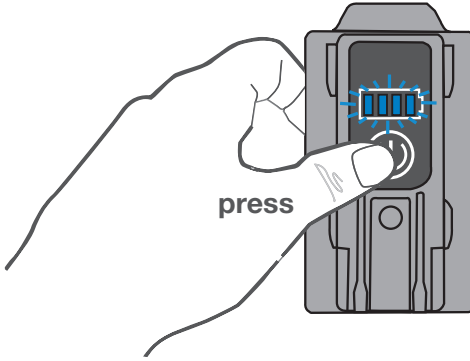
**RU** Только с зарядным устройством для аккумуляторов Hageltner: использовать powerSTATION. Не связывайте местата за свързка зарядното устройство. Держать аккумулятор вдали от огня. Следует защищать аккумулятор от сырости. Не использовать поврежденные аккумуляторы. Не вскрывать и не разбирать аккумулятор.

**ES** Utilizar solo con el cargador de batería powerSTATION de Hageltner. No cortocircuitar los puntos de conexión. Mantener la batería alejada del fuego. No dejar que la batería se moje. No utilizar una batería que esté dañada. No abrir ni desmontar la batería.

**PT** Apenas com carregador de pilhas Hageltner: utilizar powerSTATION. Não fazer curto-circuito nos pontos de ligação. Manter a pilha afastada do fogo. Não permitir que a pilha fique molhada. Não utilizar pilhas danificadas. Não abrir ou desmontar a pilha.

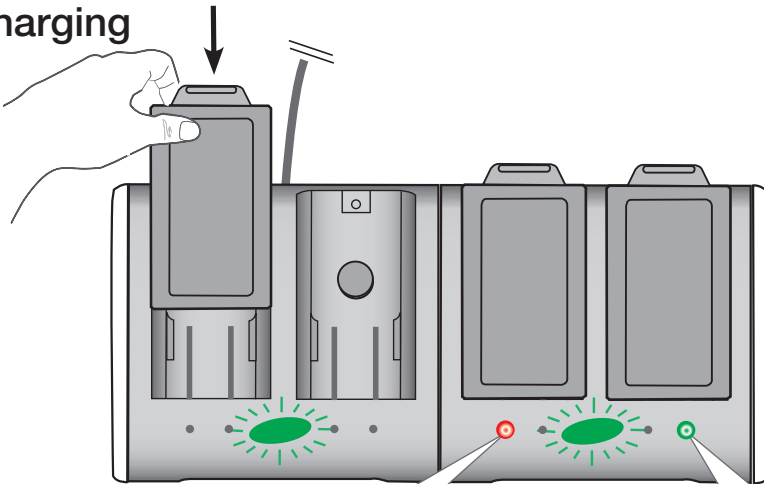


# Check energy



Charge ←

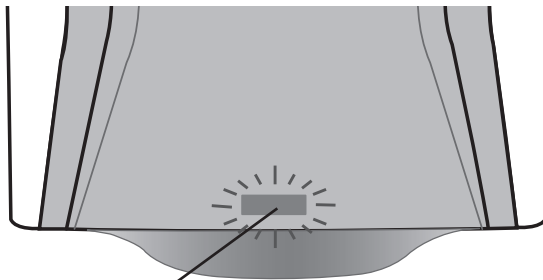
Charging



● = Charging

● = Full

# ibu TOWEL hybrid

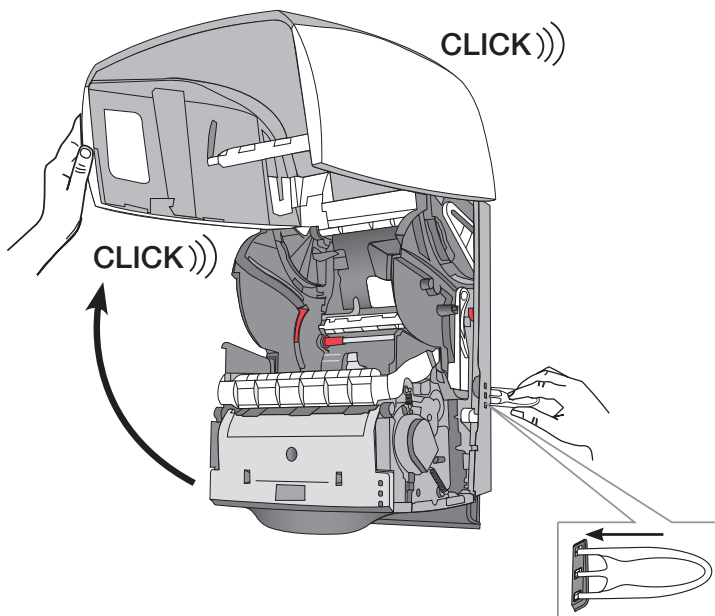


green	= ok		
green+red	= change		or refill
red	= empty		or refill
red	= Error (Service)		

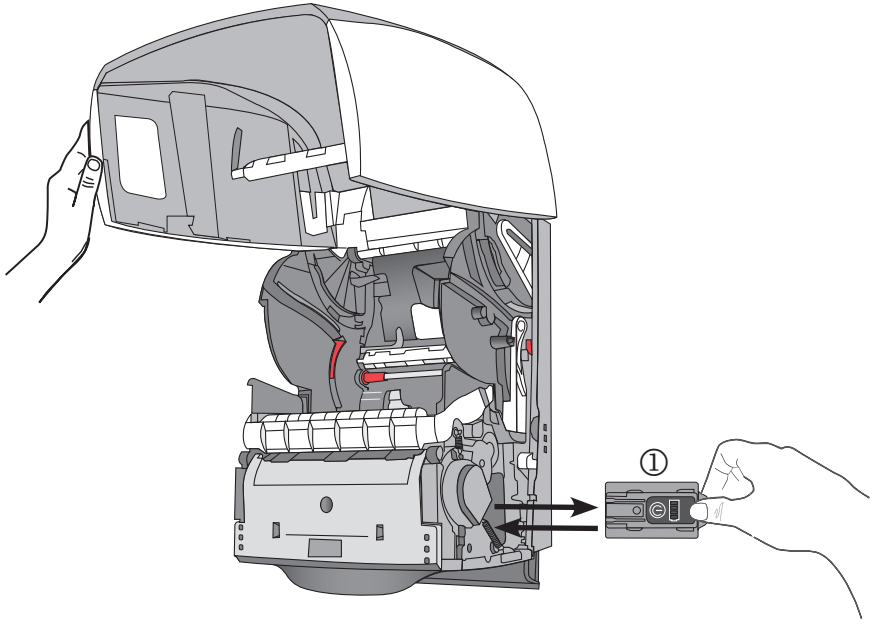
1.



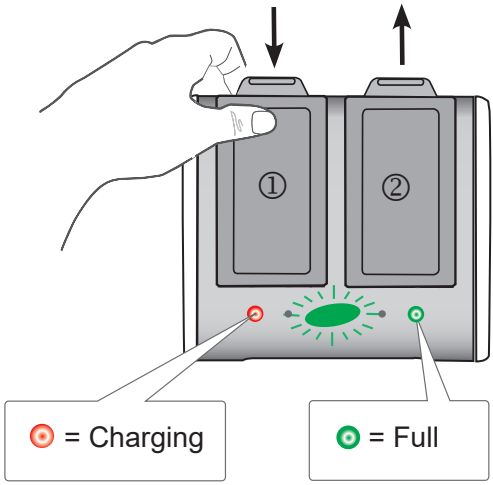
1 x



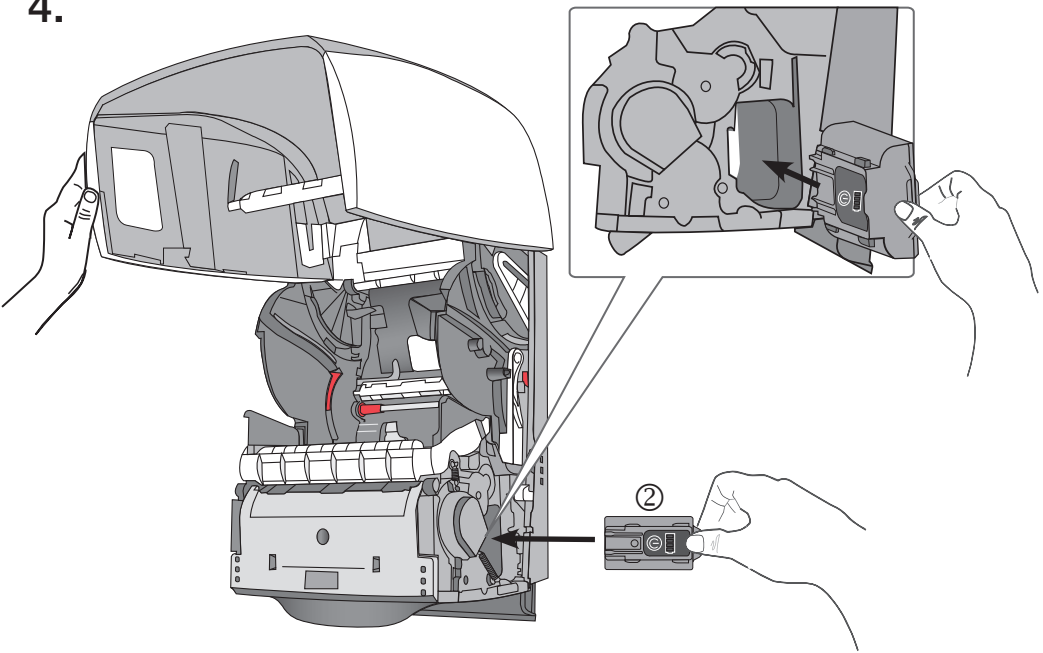
2.



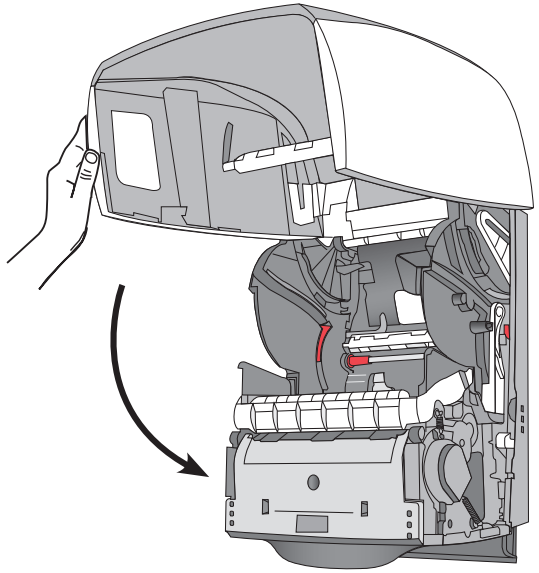
3.



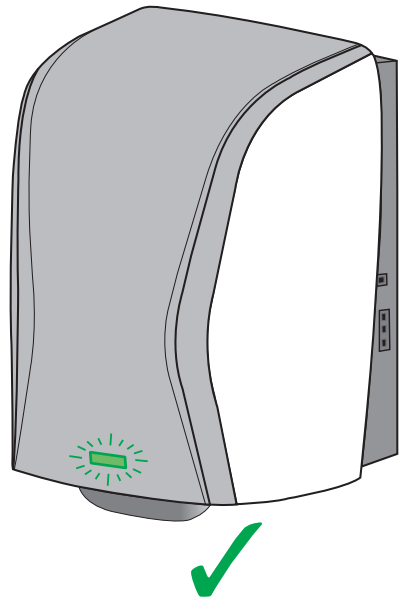
4.



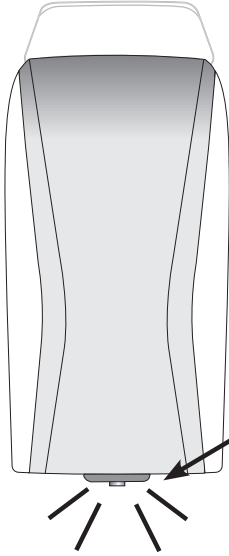
5.







6.

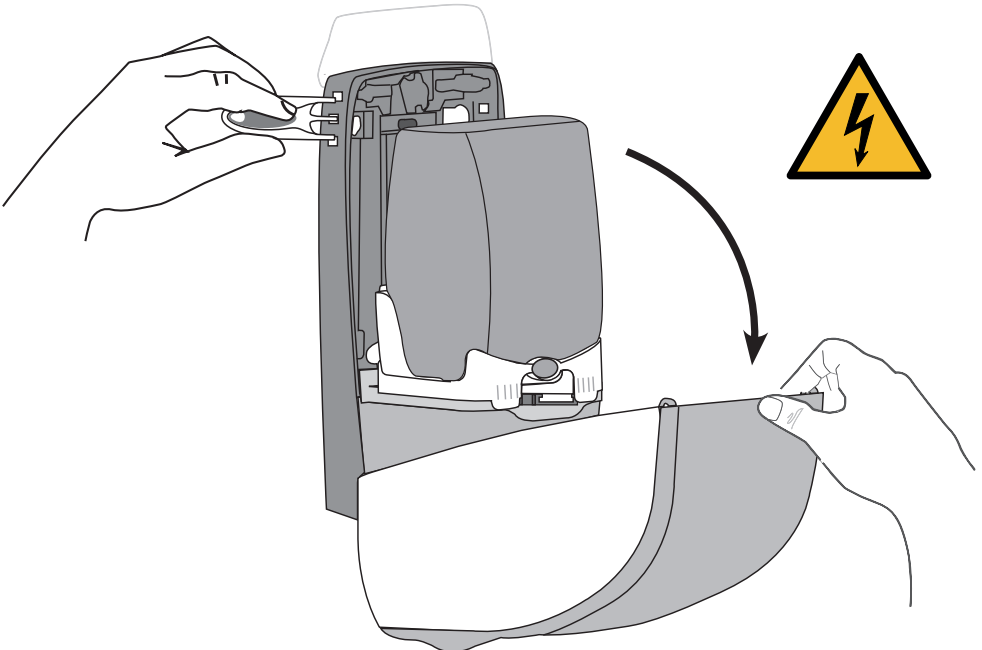


# Xibu DISINFECT / FOAM / SEAT DISINFECT / CARE MOUSSE / FLUID hybrid

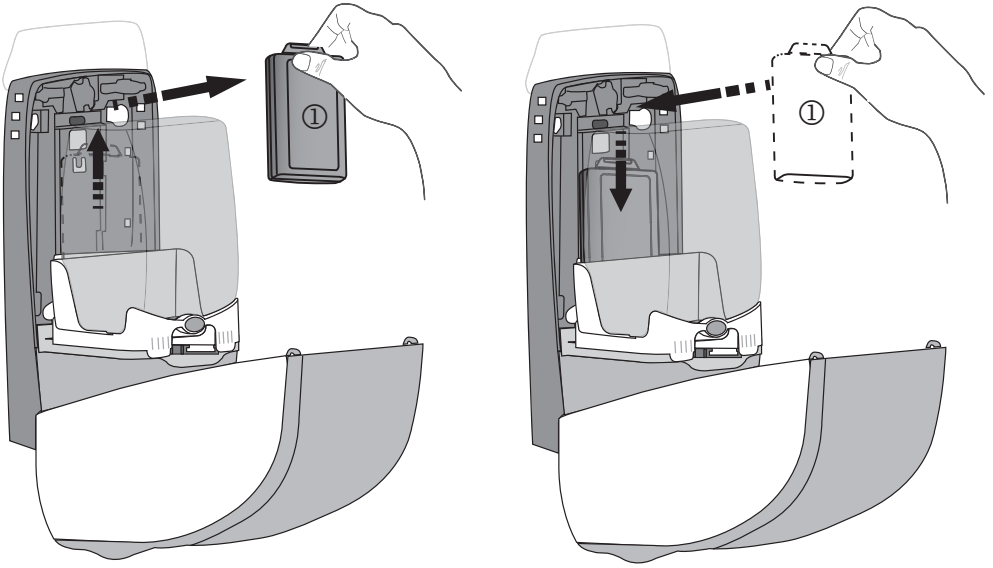


green	= ok		
green+red	= change		or 
red	= empty		or 

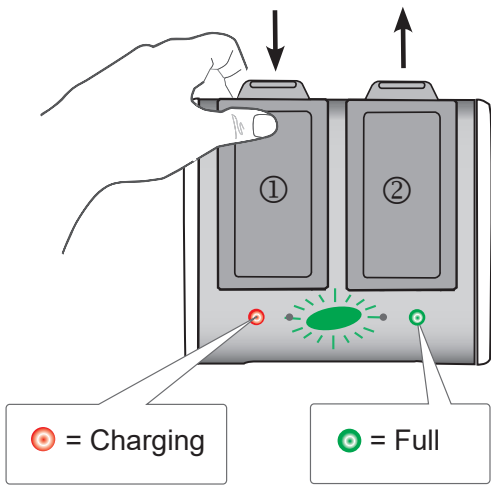
1.



2.

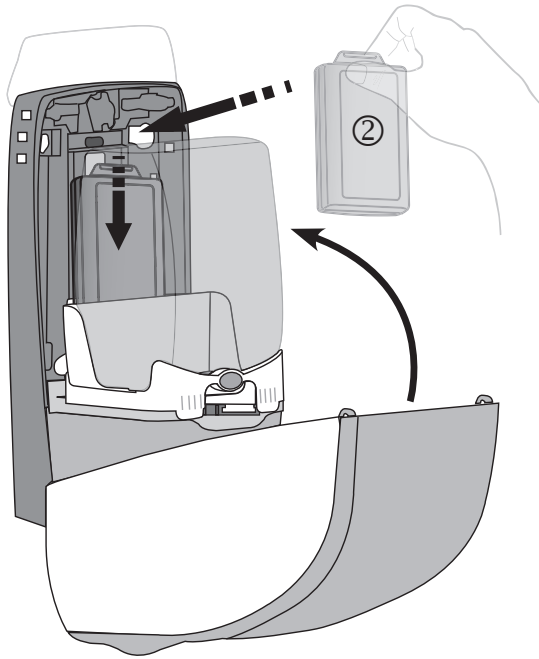


3.

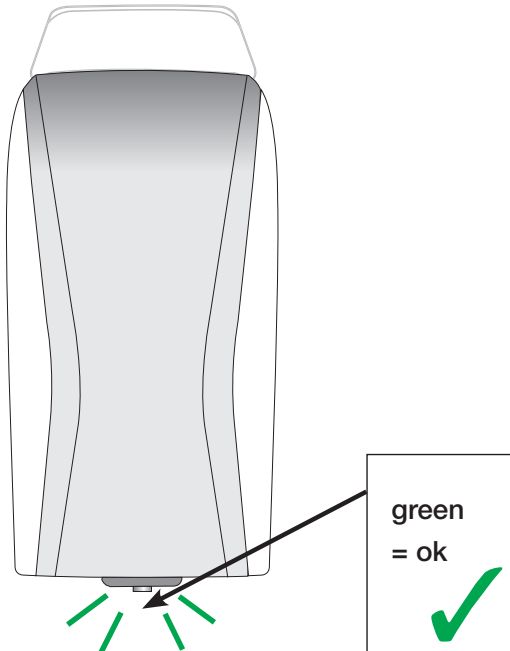




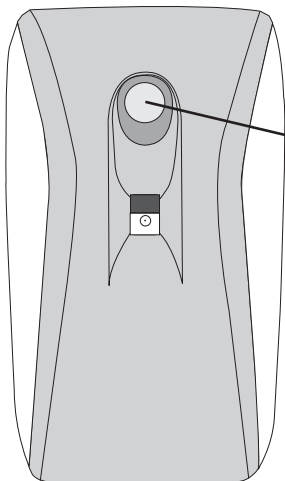
4.


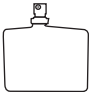




5.

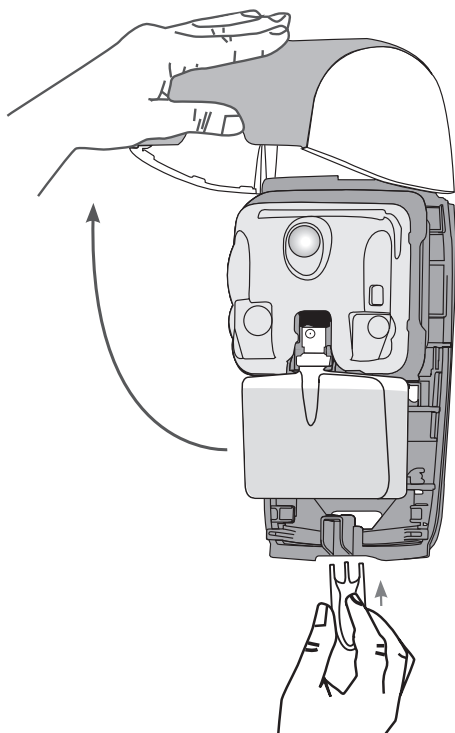


# Xibu AIRFRESH hybrid

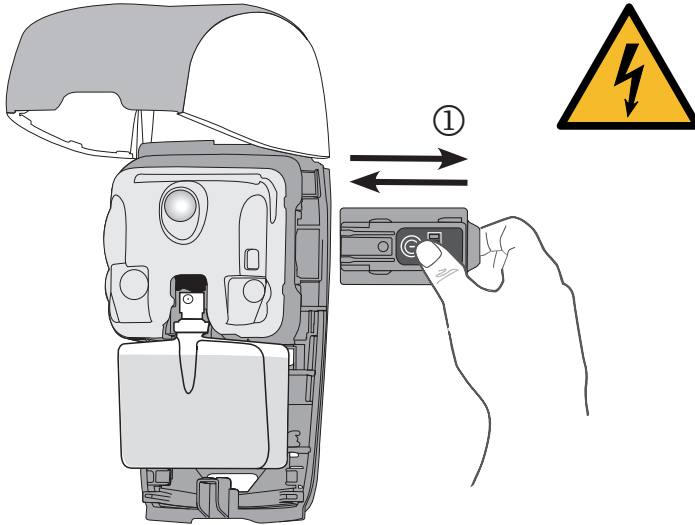


green	= ok			
green+red	= change		or	
red	= empty		or	

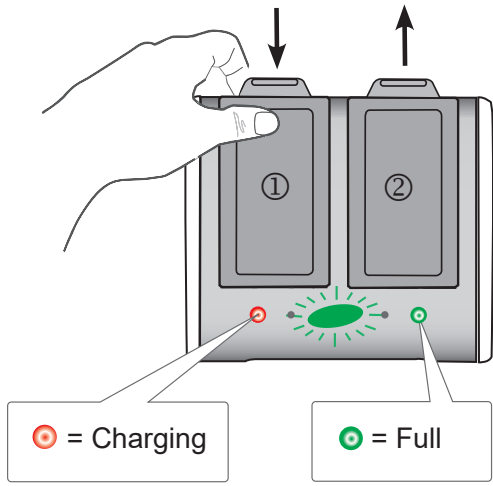
1.



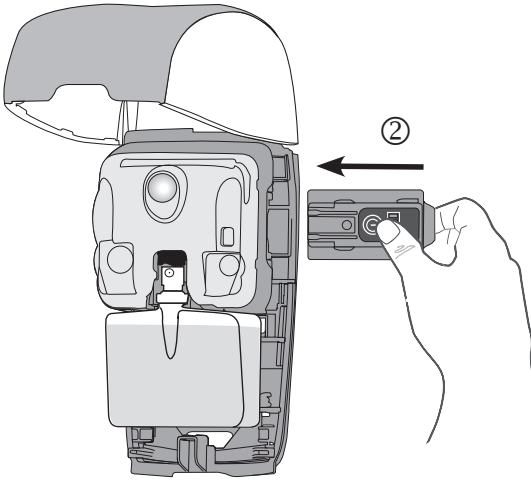
2.



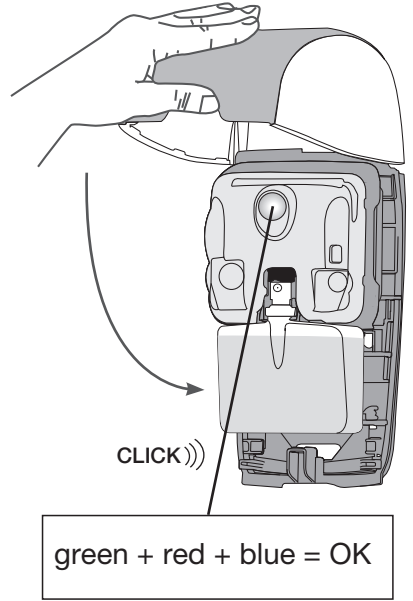
3.



4.



5.



6.

